

Comet Alpine+

CHALLENGE THE OUTDOORS WITH POWER, CONTROL AND STABILITY



For those who enjoy adventures across terrains too challenging for a traditional scooter, the Comet® Alpine+ offers the perfect solution. Its robust and powerful driving characteristics gives you the freedom to discover the great outdoors with minimal effort in continuous comfort and safety.



Yes, you can.®

Making Life's Experiences Possible

Comet Alpine+

As part of the Comet family, the Comet Alpine+ comes packed with all of its well-known safety features and customisation capabilities, offering a reliable, powerful and stylish scooter.

- Powerful and robust
- Excellent outdoor capabilities
- Safety at its core

The Comet Alpine+ offers excellent maneuverability and power without compromising safety and style. Thanks to its powerful motors and superior suspension system, the Comet Alpine+ lets you challenge the great outdoors with minimal effort and complete control.

Vital components are protected from water and dirt thanks to the in-built anti splash guards. Directional stability keeps you moving in a straight line and automatic speed reduction to slow you down when driving round corners.



Features



LCD dashboard for clear, easy to read information.



Seat suspension module offers additional comfort by adding an optional seat suspension.





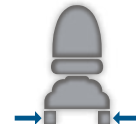













Seat riser electronically increase the seat height to achieve a preferred driving height.



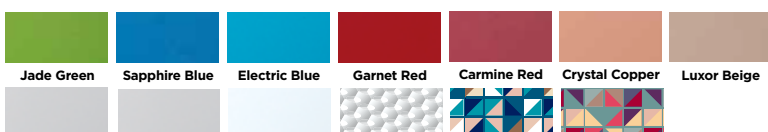
An optional off board charger allows you to conveniently charge the batteries away from the scooter.

Tech Specs

 Backrest width 510 mm	 Seat depth 460 mm	 Floor to seat height Min. 440 mm Max. 510 mm	 Backrest height 630 mm	 Driving unit width 665 - 685 mm	 Total length 1450 mm	 Empty weight 143 kg	 Max user weight 160 kg
 Battery capacity 2 x 12 V/75 Ah	 Turning diameter 2750 mm	 Max climable obstacle height 100 mm	 Ground clearance 100 mm	 Max safe slope 10°	 Max driving distance 58 km	 Max driving speed 10 km/h	 Motor capacity 650 W / 1800 W

Colour Options

Refer to order form for product codes



* Warranty Terms and Conditions apply. Contact Invacare for full details.

FOR FURTHER INFORMATION:

New Zealand: Freephone 0800 468 222, email sales@invacare.co.nz or visit www.invacare.co.nz
Australia: Freephone 1800 460 460, email orders@invacare.com.au or visit www.invacare.com.au
Asia: Phone +61 2 8839 5330, email anzexportsales@invacare.com or visit www.invacare.com
Thailand: Phone +66 0 2821 5515 or visit www.invacare.co.th



Yes, you can.®